

PVD3D1R

Proportional Valve Driver

One PWM solenoid output, open board in DIN rail card holder

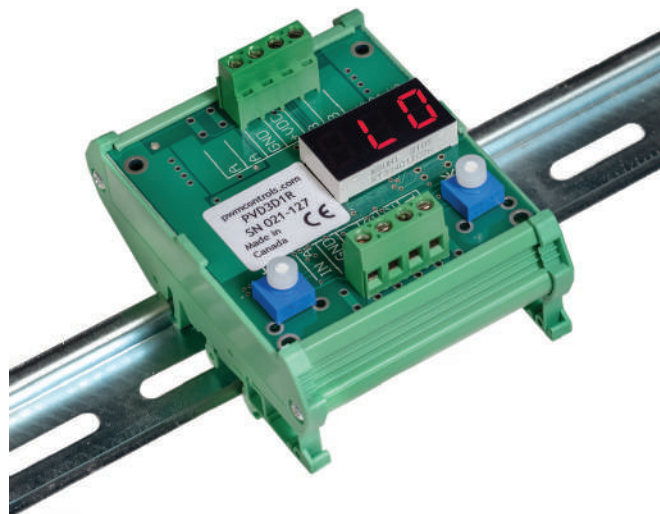


PWM

CONTROLS INC.

BENEFITS AND FEATURES

- Versatile digital design
- Large, easy-to-use adjustments and three-digit seven-segment LED display
- Wide range of supply voltage
- Electronic limiting circuit / short circuit proof
- Load can be connected & disconnected live
- Protected against wrong connection
- Energy-efficient PWM circuit, no heat sink is required
- Current sensing maintains output regardless of changes in supply voltage and coil resistance
- Simple control with analog input, the reference voltage is locally supplied



SPECIFICATIONS

- Operating voltage: 9 - 35VDC
- Maximum output current: 3A
- Ramp time: 0.0 to 99.5s
- Linearity: 0.5%
- PWM / Dither frequency: 50-500Hz
- Operating temperature: -40° to +75° Celsius
- Input signals: user selectable 0-5V, 0-10V, 0-20mA or 4-20mA
- Size: 3.50" x 2.75" x 2.00"
- Weight: 0.2lbs

This product fulfills
the essential
requirements of
the EMC Directive
2004/108/EC:
EN61000-6-1:2005,
EN61000-6-3:2006

PVD3D1R

Proportional Valve Driver

One PWM solenoid output, open board in DIN rail card holder

**PWM**

CONTROLS INC.

SETTINGS AND RANGE

- H I** High, output current corresponding to the highest input, 0.00 to 3.00 A
- J9** Jog, output current manual override, 0.00 to 3.00 A
- LO** Low, output current corresponding to the lowest input, 0.00 to 3.00 A
- UP** Ramp up, time required for the output to increase from LO to H I, 0.00 to 99.5 s
- dn** Ramp down, time required for the output to decrease from H I to LO, 0.00 to 99.5 s
- db** Deadband, output is disabled when command signal is less than this setting, in %
- df** Dither frequency, 050 to 500 Hz
- in** Input signal selection, 005 (0-5V), 010 (0-10V), 020 (0-20mA) or 420 (4-20mA)
- di** Display orientation, normal or up-side-down
- SA** Save settings

SETUP PROCEDURE

At power up, you may rotate the left side control **#** to read the command input signal in V or mA, corresponding to the input range preselected or the actual solenoid output current directly in Amps: **in** (input) or **ot** (output). To enter set-up mode, rotate right side control *****; the display will show the settings sequentially: **H I**, **J9**, **LO**, **UP**, **dn**, **db**, **df**, **in**, **di** and **SA**.

When you reach the setting that you want to modify, rotate **#** up or down to the desired value. To modify another setting, rotate ***** and repeat. The Driver is fully functional during the set-up procedure with any adjustments effective immediately (except the input range selection that becomes effective only after saving). In order to write the new settings in the memory and return to normal mode of operation, rotate ***** until the display shows **SA** and then rotate **#** one full turn. If you do not want to keep the new settings, simply power down without saving.

WE RESERVE THE RIGHT TO DISCONTINUE MODELS OR CHANGE SPECIFICATIONS WITHOUT NOTICE OR INCURRING OBLIGATION

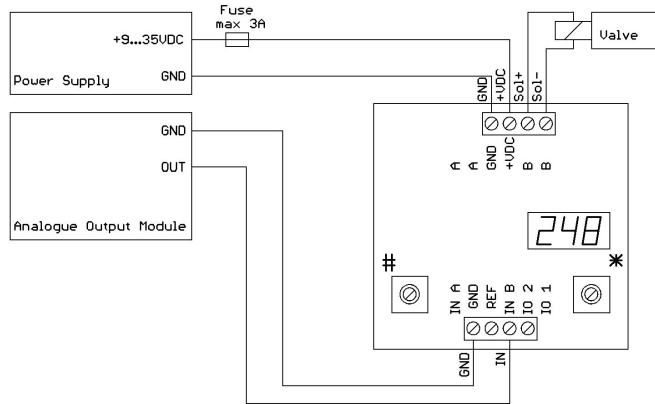
PVD3D1R

Proportional Valve Driver
 One PWM solenoid output, open board in DIN rail card holder

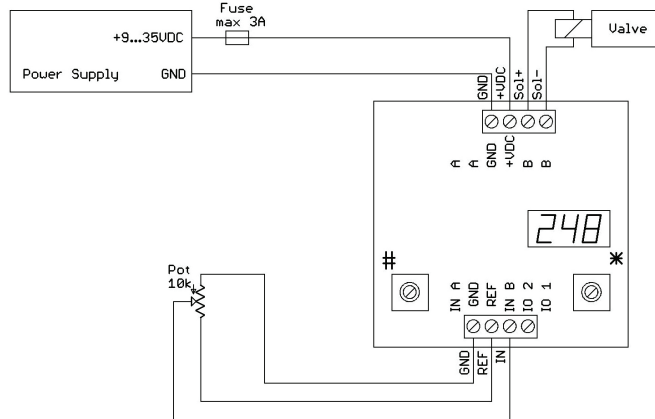


WIRING DIAGRAMS

With signal from Analogue Card/PLC:



With signal from potentiometer/joystick:



With switch for soft shift between two presets:

