

# PVD3S1N

Proportional Valve Driver

One PWM solenoid output, in sealed plastic enclosure



# PWM

CONTROLS INC.

## BENEFITS AND FEATURES

- Versatile digital design
- Large, easy-to-use adjustments and three-digit seven-segment LED display
- Wide range of supply voltage
- Electronic limiting circuit / short circuit proof
- Load can be connected & disconnected live
- Protected against wrong connection
- Energy-efficient PWM circuit, no heat sink is required
- Current sensing maintains output regardless of changes in supply voltage and coil resistance
- Simple control with two digital inputs
- Plastic box with clear lid
- Three PG7 liquid-tight cable glands for power, signals and coil



## SPECIFICATIONS

- Operating voltage: 9 - 35VDC
- Maximum output current: 3A
- Ramp time: 0.0 to 99.5s
- Linearity: 0.5%
- PWM / Dither frequency: 50-500Hz
- Operating temperature: -40° to +75° Celsius
- Input signals: two digital (on/off)
- Size: 4.75" x 2.25" x 3.15" (4.15" with cable glands)
- Weight: 0.6lbs

This product fulfills  
the essential  
requirements of  
the EMC Directive  
2004/108/EC:  
EN61000-6-1:2005,  
EN61000-6-3:2006

# PVD3S1N

Proportional Valve Driver  
One PWM solenoid output, in sealed plastic enclosure



**PWM**  
CONTROLS INC.

## SETTINGS AND RANGE

- J9** Jog, output current manual override, 0.00 to 3.00 A
- P1** set point 1, 0.00 to 3.00 A
- P2** set point 2, 0.00 to 3.00 A
- P3** set point 3, 0.00 to 3.00 A
- P4** set point 4, 0.00 to 3.00 A
- UP** Ramp up, time required for the output to increase 1A, 00.0 to 99.5 s
- dn** Ramp down, time required for the output to decrease 1A, 00.0 to 99.5 s
- dF** Dither frequency, 050 to 500 Hz
- di** Display orientation, normal or up-side-down
- SA** Save settings

## SETUP PROCEDURE

At power up, you may rotate the left side control **#** to read the target set point as selected with the two inputs or the actual solenoid output current directly in Amps: **in** (target) or **ot** (actual). To enter set-up mode, rotate right side control **\***; the display will show the settings sequentially: **J9**, **P1**, **P2**, **P3**, **P4**, **UP**, **dn**, **dF**, **di** and **SA**.

When you reach the setting that you want to modify, rotate **#** up or down to the desired value. To modify another setting, rotate **\*** and repeat. The Driver is fully functional during the set-up procedure with any adjustments effective immediately (except the input range selection that becomes effective only after saving). In order to write the new settings in the memory and return to normal mode of operation, rotate **\*** until the display shows **SA** and then rotate **#** one full turn. If you do not want to keep the new settings, simply power down without saving.

WE RESERVE THE RIGHT TO DISCONTINUE MODELS OR CHANGE SPECIFICATIONS WITHOUT NOTICE OR INCURRING OBLIGATION

# PVD3S1N

Proportional Valve Driver  
 One PWM solenoid output, in sealed plastic enclosure

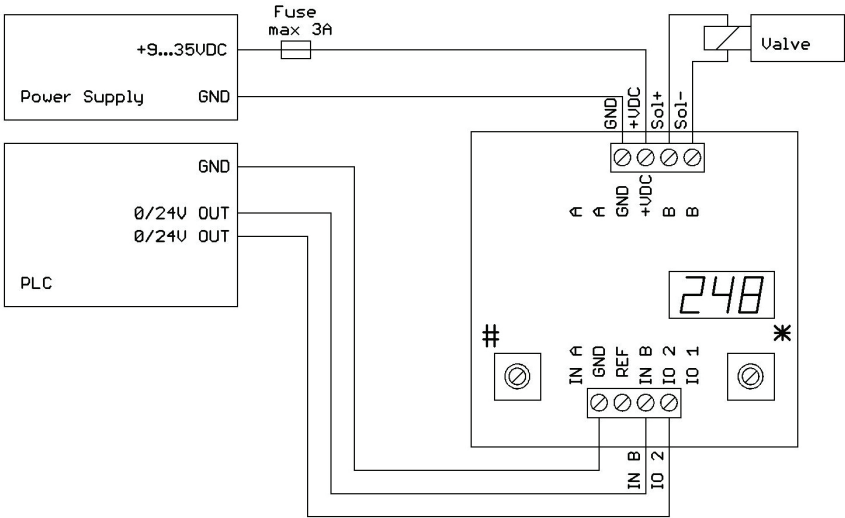


# PWM

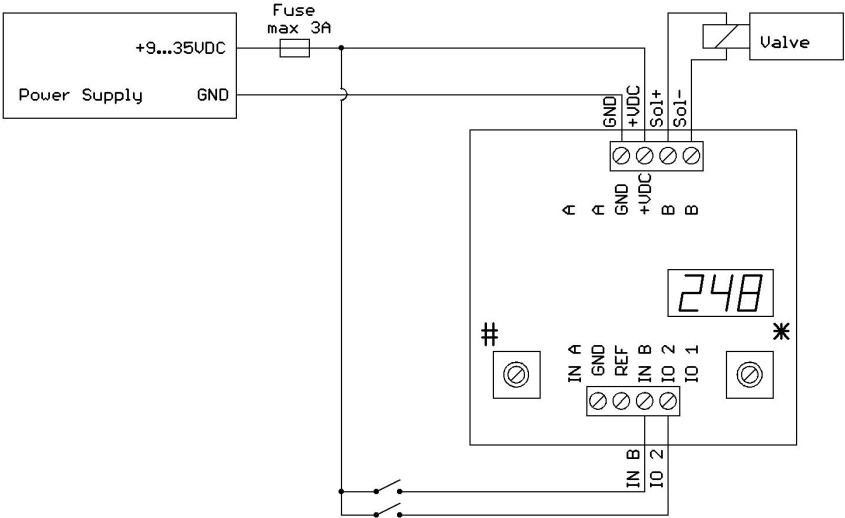
CONTROLS INC.

## WIRING DIAGRAMS

With signal from PLC:



With two switches for soft shift between four presets:



		IO 2	
		OFF	ON
IN B	OFF	P 1	P 3
	ON	P 2	P 4