

PVD3SDN

Proportional Valve Driver

Direct DIN solenoid mount, DIN cable connector



PWM

CONTROLS INC.

BENEFITS AND FEATURES

- Versatile digital design
- Large, easy-to-use adjustments and three-digit seven-segment LED display
- Wide range of supply voltage
- Electronic limiting circuit / short circuit proof
- Load can be connected & disconnected live
- Protected against wrong connection
- Energy-efficient PWM circuit, no heat sink is required
- Current sensing maintains output regardless of changes in supply voltage and coil resistance
- Simple control with two digital inputs
- Completely sealed even during set-up
- Thick wall, sturdy housing made of flame retardant plastic UL94-V0
- Mounting: DIN 43650-A/ISO 4400 for solenoid as well as cable connector
- Easy troubleshooting / cable length not an issue



SPECIFICATIONS

- Operating voltage: 9 - 35VDC
- Maximum output current: 3A
- Ramp time: 0.0 to 99.5s
- Linearity: 0.5%
- PWM / Dither frequency: 50-500Hz
- Operating temperature: -40° to +75° Celsius
- Input signals: two digital (on/off)
- Size: 2.5" x 1.5" x 1.4"
- Weight: 0.2lbs
- Protection grade: IP67**

This product fulfills
the essential
requirements of
the EMC Directive
2004/108/EC:
EN61000-6-1:2005,
EN61000-6-3:2006

** when properly assembled using the brown gasket (included in the package) between solenoid and driver

PVD3SDN

Proportional Valve Driver
Direct DIN solenoid mount, DIN cable connector



SETTINGS AND RANGE

- J9** Jog, output current manual override, 0.00 to 3.00 A
- P1** set point 1, 0.00 to 3.00 A
- P2** set point 2, 0.00 to 3.00 A
- P3** set point 3, 0.00 to 3.00 A
- P4** set point 4, 0.00 to 3.00 A
- UP** Ramp up, time required for the output to increase 1A, 00.0 to 99.5 s
- dn** Ramp down, time required for the output to decrease 1A, 00.0 to 99.5 s
- df** Dither frequency, 050 to 500 Hz
- di** Display orientation, normal or up-side-down
- SA** Save settings

SETUP PROCEDURE

At power up, you may rotate **#** counterclockwise to read the target set point as selected with the two inputs or clockwise to read the actual solenoid output current, directly in Amps. To enter set-up mode, rotate right side control *****; the display will show the settings sequentially: **J9**, **P1**, **P2**, **P3**, **P4**, **UP**, **dn**, **df**, **di** and **SA**.

When you reach the setting that you want to modify, rotate **#** up or down to the desired value. To modify another setting, rotate ***** and repeat. The Driver is fully functional during the set-up procedure with any adjustments effective immediately (except the input range selection that becomes effective only after saving). In order to write the new settings in the memory and return to normal mode of operation, rotate ***** until the display shows **SA** and then rotate **#** one full turn. If you do not want to keep the new settings, simply power down without saving.

WE RESERVE THE RIGHT TO DISCONTINUE MODELS OR CHANGE SPECIFICATIONS WITHOUT NOTICE OR INCURRING OBLIGATION



PVD3SDN

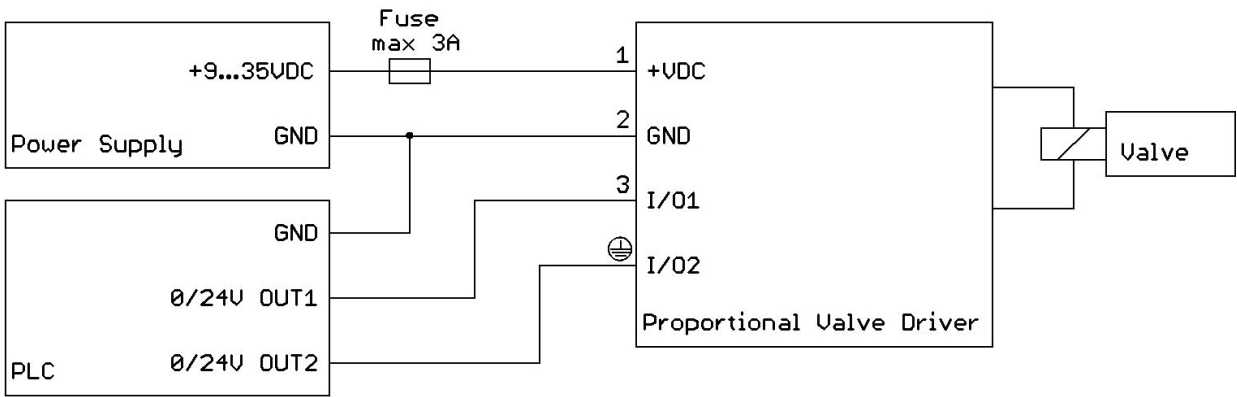
Proportional Valve Driver
Direct DIN solenoid mount, DIN cable connector

PWM

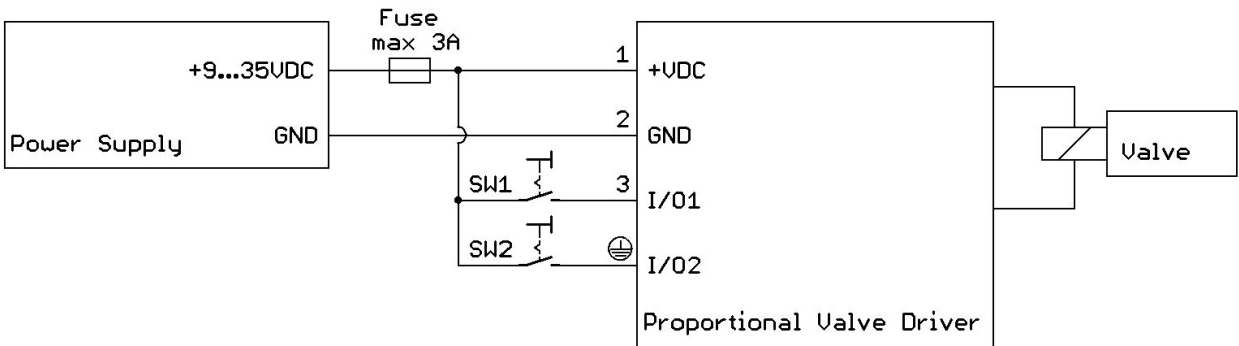
CONTROLS INC.


WIRING DIAGRAMS

With signal from PLC:



With two switches for soft shift between four presets:



NOTE: Do not connect pin  to ground

		I/02	
		OFF	ON
I/01	OFF	P1	P3
	ON	P2	P4

PVD3SDN

Proportional Valve Driver
Direct DIN solenoid mount, DIN cable connector



PWM

CONTROLS INC.

DIMENSIONS

