

PVD4R11

Proportional Valve Driver

Two PWM solenoid outputs, DIN rail mount



PWM

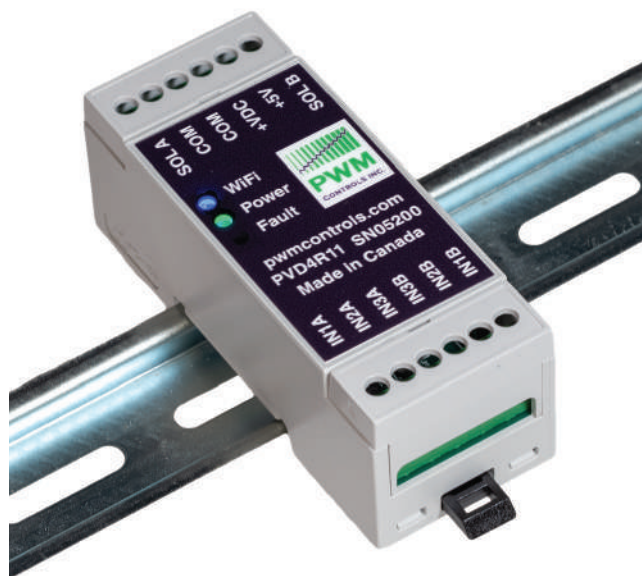
CONTROLS INC.

BENEFITS AND FEATURES

- Versatile digital design
- WiFi user interface for complete control and status information
- Compatible with most internet enabled devices and browsers
- Wide range of supply voltage
- Electronic limiting circuit / short circuit proof
- Load can be connected & disconnected live
- Protected against wrong connection
- Energy-efficient PWM circuit, no heat sink is required
- Current sensing maintains output regardless of changes in supply voltage and coil resistance
- Simple control with analog input, 5V/200mA supplied for joystick or other accessories
- Can be used either for one dual solenoid valve or for two independent single solenoid valves

SPECIFICATIONS

- Operating voltage: 9 - 36VDC
- Maximum output current: 4A
- Ramp time: 0.0 to 999s
- Linearity: 0.5%
- PWM / Dither frequency: 33-1000Hz
- Operating temperature: -40° to +80° Celsius
- Input signals: up to (+/-)10V and/or 20mA
- Contains FCC ID: 2AHMR-ESP12S
- Size: 3.5" x 1.4" x 1.3"
- Weight: 0.2lbs



PVD4R11

Proportional Valve Driver
Two PWM solenoid outputs, DIN rail mount



CONFIGURATION

The driver can be used:

- For two single solenoid valves, controlled by two independent analogue signals
- For one dual solenoid valve, controlled by one analogue signal or by the difference between two analogue signals

INPUTS

- Milliamp signal 0 to 21.9mA or any subrange thereof, applied to IN1(A or B) while IN2(A or B) accepts ON/OFF signal
- Voltage signal 0 to 10.9V or any subrange thereof, applied to (IN2 - IN3)(A or B) while IN1(A or B) accepts ON/OFF signal
- ON/OFF signal functions: Alternate Output Range, Enable Output or Disable Ramps
- See wiring diagrams on pg 4

OUTPUTS

- Two PWM outputs with frequency adjustable from 33 to 1000Hz
- Current or duty cycle proportional to the analogue input
- The return is connected to ground for most versatility
- The input range must be set to include the valid range of input signals (with a safety margin). The output is disabled when the signal applied is invalid.

PVD4R11

Proportional Valve Driver

Two PWM solenoid outputs, DIN rail mount



RAMPS

- Rate of rise or fall of output can be independently adjusted
- The setting is the amount of time it takes for output to ramp through the full range

USER INTERFACE

- WiFi, compatible with most internet enabled devices and browsers
- It allows the user to monitor the status and change the settings of the driver

INDICATOR LIGHTS

- WiFi: flashing - ready to connect / solid - connected
- Power: green
- Fault: red

FAULT CONDITIONS

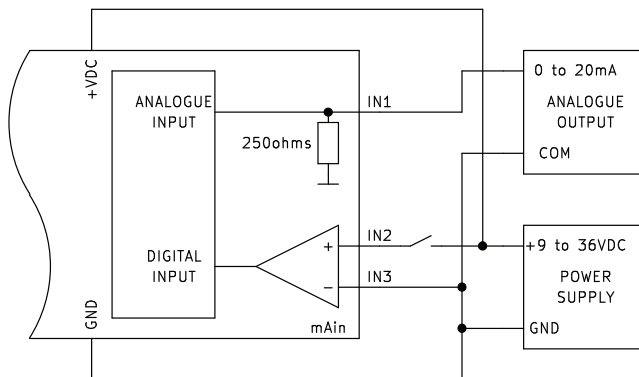
- Load is less than 0.1Ω (short) or more than 199Ω (open)
- Output exceeded 4A
- Milliamp input exceeded 22mA
- Fault status is reset as soon as fault condition is removed

PVD4R11

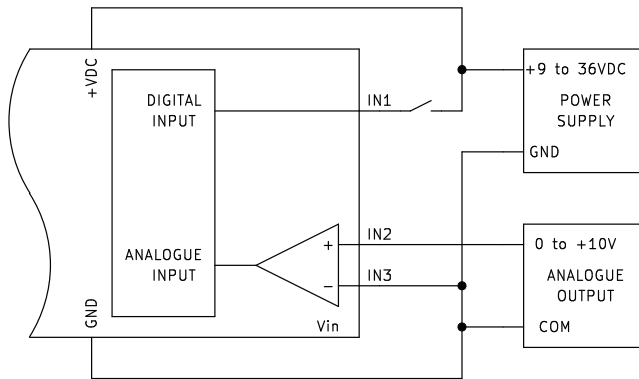
Proportional Valve Driver
Two PWM solenoid outputs, DIN rail mount



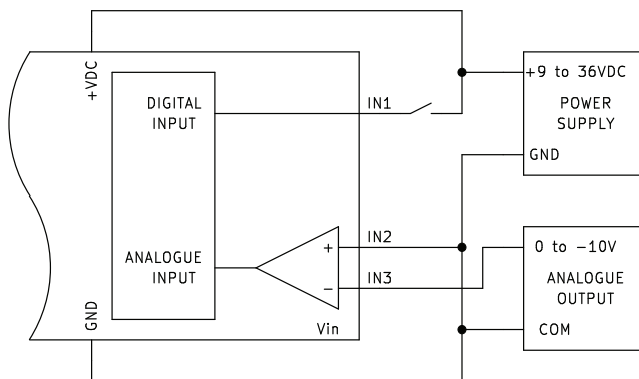
INPUT CONFIGURATIONS



milliamp
input



positive
Volts input



negative
Volts input

PVD4R11

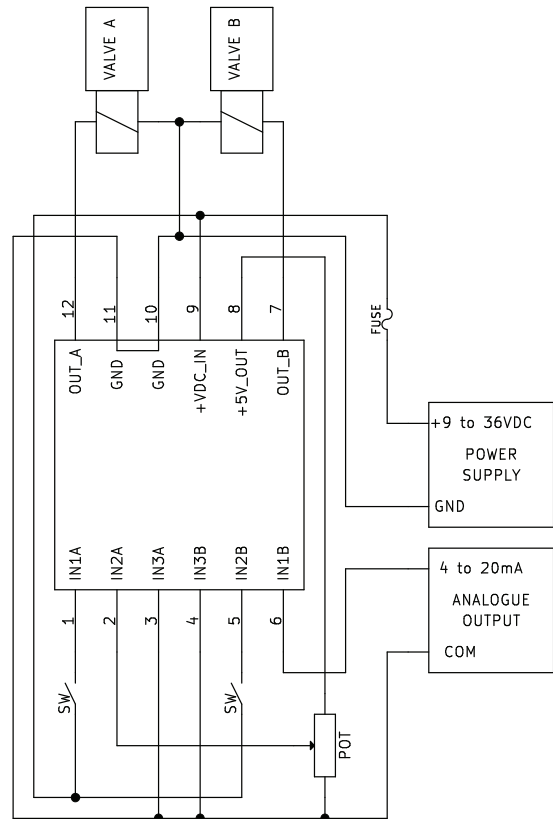
Proportional Valve Driver
Two PWM solenoid outputs, DIN rail mount



Configuration and wiring diagram for two independent single solenoid valves:

Potentiometer and output enable switch for valve A
4-20mA signal and ramp disable switch for valve B

Solenoid A			
Input selection	IN A		
IN2A range	0.2 to 5.2	V	
Output range	0.20 to 0.80	A	
Ramp up	4.0	s	
Ramp down	2.0	s	
PWM frequency	180	Hz	
IN1A function	Enable output		
Solenoid B			
Input selection	IN B		
IN1B range	3.6 to 20.4	mA	
Output range	0.50 to 3.50	A	
Ramp up	20.0	s	
Ramp down	10.0	s	
PWM frequency	140	Hz	
IN2B function	Disable ramps		
WiFi operates for	30 minutes		



PVD4R11

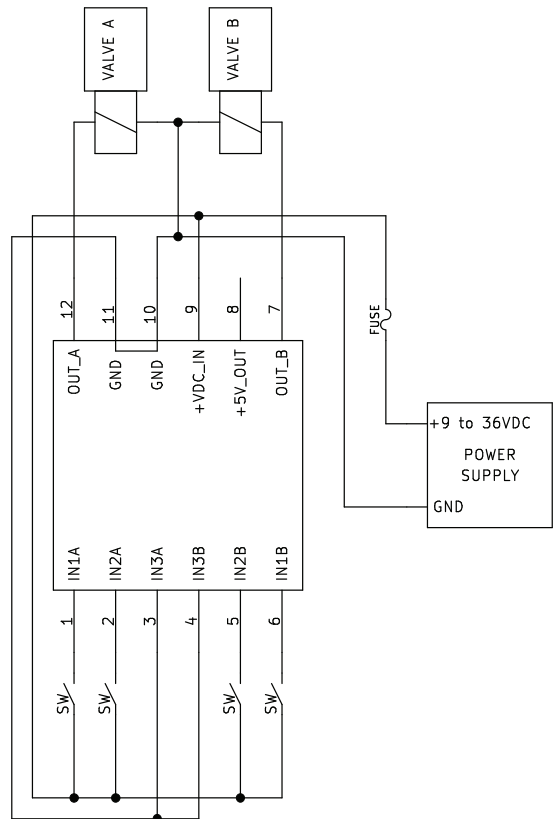
Proportional Valve Driver
Two PWM solenoid outputs, DIN rail mount



Configuration and wiring diagram for two independent single solenoid valves: Two switches to select one of four presets for each valve

Solenoid A		
Input selection	IN A	
IN2A range	0.0 to 10.9	V
Output range	0.20 to 0.40	A
Alternate output range	0.60 to 0.80	A
Ramp up	0.1	s
Ramp down	0.1	s
PWM frequency	180	Hz
IN1A function	Alternate output	
Solenoid B		
Input selection	IN B	
IN2B range	0.0 to 10.9	V
Output range	0.50 to 1.50	A
Alternate output range	2.50 to 3.50	A
Ramp up	30.0	s
Ramp down	15.0	s
PWM frequency	140	Hz
IN1B function	Alternate output	
WiFi operates for	30 minutes	

IN1A	IN2A	OUT_A	IN1B	IN2B	OUT_B
OFF	OFF	0.20	OFF	OFF	0.50
OFF	ON	0.40	OFF	ON	1.50
ON	OFF	0.60	ON	OFF	2.50
ON	ON	0.80	ON	ON	3.50



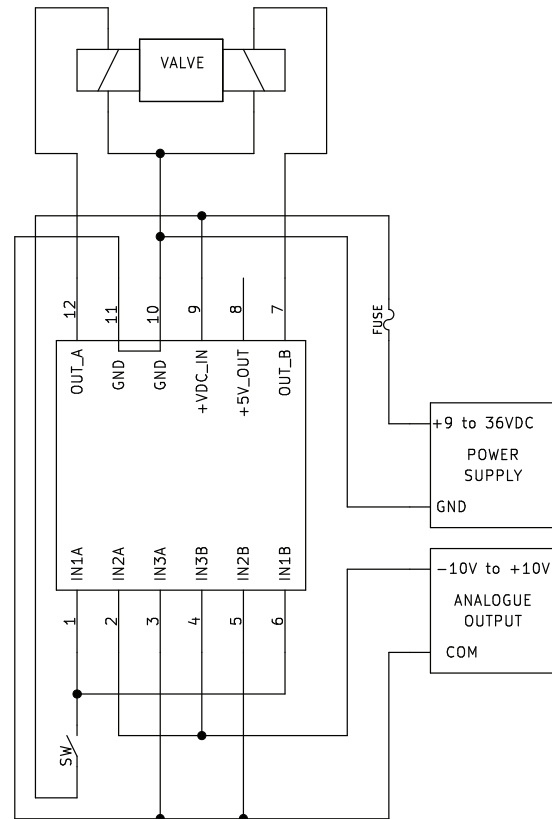
PVD4R11

Proportional Valve Driver
Two PWM solenoid outputs, DIN rail mount



Configuration and wiring diagram for dual solenoid valve: -10V to +10V signal and low/high range switch

Solenoid A			
Input selection	IN A - IN B		
IN2A range	0.2	to	10.2 V
Output range	0.20	to	0.80 A
Alternate output range	0.40	to	1.60 A
Ramp up	1.0		s
Ramp down	1.0		s
PWM frequency	150		Hz
IN1A function	Alternate output		
Solenoid B			
Input selection	IN B - IN A		
IN2B range	0.2	to	10.2 V
Output range	0.20	to	0.80 A
Alternate output range	0.40	to	1.60 A
Ramp up	1.0		s
Ramp down	1.0		s
PWM frequency	150		Hz
IN1B function	Alternate output		
WiFi operates for	30 minutes		



PVD4R11

Proportional Valve Driver
Two PWM solenoid outputs, DIN rail mount

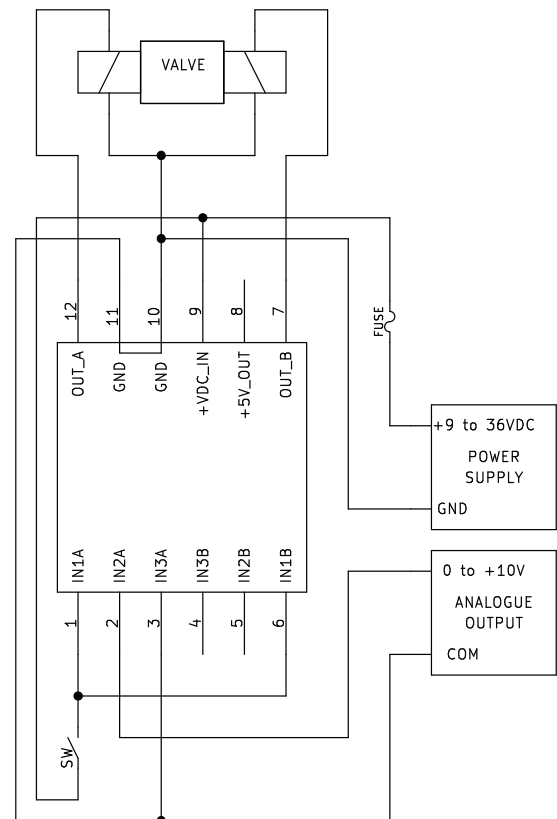


Configuration and wiring diagram for dual solenoid valve:

0-10V signal and enable switch

Duty cycle output

Solenoid A	
Input selection	IN A
IN2A range	0.0 to 4.8 V
Output range	75.0 to 15.0 %
Ramp up	1.0 s
Ramp down	1.0 s
PWM frequency	33 Hz
IN1A function	Enable output
Solenoid B	
Input selection	IN A
IN2A range	5.2 to 10.2 V
Output range	15.0 to 75.0 %
Ramp up	1.0 s
Ramp down	1.0 s
PWM frequency	33 Hz
IN1A function	Enable output
WiFi operates for	30 minutes



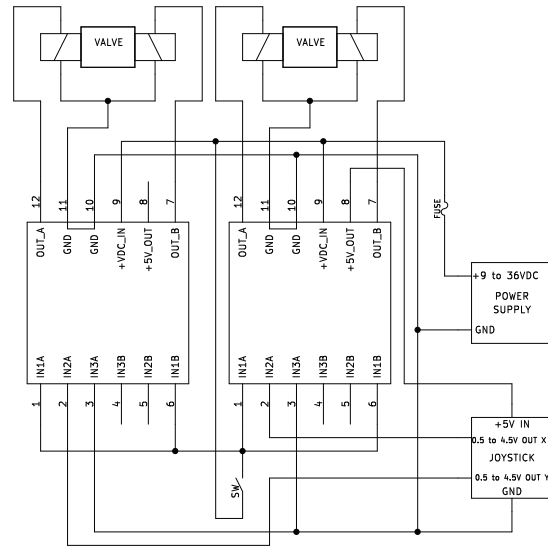
PVD4R11

Proportional Valve Driver
Two PWM solenoid outputs, DIN rail mount



Configuration and wiring diagram for two dual solenoid valves: Two-axis hall effect joystick and low/high range switch

Solenoid A			
Input selection	IN A		
IN2A range	0.4	to	2.4 V
Output range	0.80	to	0.20 A
Alternate output range	1.60	to	0.40 A
Ramp up	0.5		s
Ramp down	0.5		s
PWM frequency	200 Hz		
IN1A function	Alternate output		
Solenoid B			
Input selection	IN A		
IN2A range	2.6	to	4.6 V
Output range	0.20	to	0.80 A
Alternate output range	0.40	to	1.60 A
Ramp up	0.5		s
Ramp down	0.5		s
PWM frequency	200 Hz		
IN1A function	Alternate output		
WiFi operates for	8 hours		



PVD4R11

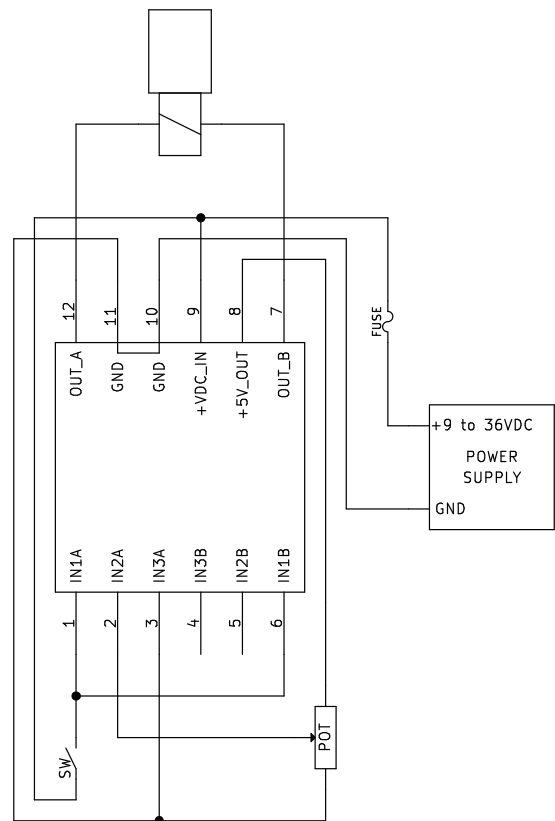
Proportional Valve Driver
Two PWM solenoid outputs, DIN rail mount



PWM
CONTROLS INC.

Configuration and wiring diagram for **bipolar voice coil / servovalve:** Potentiometer and ramp disable switch

Solenoid A			
Input selection	IN A		
IN2A range	0.0	to	2.4 V
Output range	3.00	to	0.10 A
Ramp up	0.0		s
Ramp down	0.0		s
PWM frequency	999		Hz
IN1A function	Disable ramps		
Solenoid B			
Input selection	IN A		
IN2A range	2.6	to	5.1 V
Output range	0.10	to	3.00 A
Ramp up	0.0		s
Ramp down	0.0		s
PWM frequency	999		Hz
IN1A function	Disable ramps		
WiFi operates for	1 week		



PVD4R11

Proportional Valve Driver
Two PWM solenoid outputs, DIN rail mount



Configuration and wiring diagram for basic closed loop with single solenoid valve

Potentiometer target signal and 2-wire transmitter feedback

One enable switch

Solenoid A	
Input selection	IN A - IN B
IN2A range	0.0 to 5.1 V
Output range	0.10 to 3.90 A
Ramp up	10.0 s
Ramp down	10.0 s
PWM frequency	160 Hz
IN1A function	Enable output
Solenoid B	
Input selection	IN B - IN A
IN1B range	3.6 to 20.4 mA
Output range	0.00 to 0.00 A
Ramp up	0.0 s
Ramp down	0.0 s
PWM frequency	160 Hz
IN2B function	Unused
WiFi operates for	Always

