



## PVD3D2E

Proportional Valve Driver, two PWM solenoid outputs, epoxy potted

### BENEFITS AND FEATURES:

- Versatile digital design
- Large, easy-to-use adjustments and three-digit seven-segment LED display
- Wide range of supply voltage
- Electronic limiting circuit / short circuit proof
- Load can be connected & disconnected live
- Protected against wrong connection
- Energy-efficient PWM circuit, no heat sink is required
- Current sensing maintains output regardless of changes in supply voltage and coil resistance
- Simple control with analog input, the reference voltage is locally supplied
- Can be used either for one dual solenoid valve or two independent single valves
- Environmentally sealed



### SPECIFICATIONS:

- Operating voltage: 9 - 35VDC
- Maximum output current: 3A
- Ramp time: 0.0 to 99.5s
- Linearity: 0.5%
- PWM / Dither frequency: 50-500Hz
- Operating temperature: -40° to +75° Celsius
- Input signals: user selectable 0-5V, 0-10V, 0-20mA or 4-20mA
- Size: 3.00" x 0.875" x 3.25" (4.00" with flanges)

This product fulfills the essential requirements of  
the EMC Directive 2004/108/EC: EN61000-6-1:2005, EN61000-6-3:2006



## PVD3D2E

Proportional Valve Driver, two PWM solenoid outputs, epoxy potted

### SETTINGS AND RANGE:

- AH I** A high, output current corresponding to the highest input, 0.00 to 3.00 A
- AJ9** A jog, output current manual override, 0.00 to 3.00 A
- ALO** A low, output current corresponding to the lowest input, 0.00 to 3.00 A
- AUP** A ramp up, time required for the output to increase from ALO to AH I, 00.0 to 99.5 s
- Adn** A ramp down, time req'd for the output to decrease from AH I to ALO, 00.0 to 99.5 s
- Adb** A deadband, output is disabled when signal is less than this setting, in %
- Ain** Single mode A input signal, 005 (0-5V), 0 10 (0-10V), 020 (0-20mA) or 420 (4-20mA)
- bH I** B high, output current corresponding to the highest input, 0.00 to 3.00 A
- BJ9** B jog, output current manual override, 0.00 to 3.00 A
- BLO** B low, output current corresponding to the lowest input, 0.00 to 3.00 A
- BUP** B ramp up, time required for the output to increase from BLO to bH I, 00.0 to 99.5 s
- bdn** B ramp down, time req'd for the output to decrease from bH I to BLO, 00.0 to 99.5 s
- bdb** B deadband, output is disabled when signal is less than this setting, in %
- bin** Single mode B input signal: 005 (0-5V), 0 10 (0-10V), 020 (0-20mA) or 420 (4-20mA)
- db** Dual mode deadband, output is disabled when signal is less than this setting, in %
- dF** Dither frequency, 050 to 500 Hz
- in** Dual mode input signal: 005 (0-5V), 0 10 (0-10V), 020 (0-20mA) or 420 (4-20mA)
- di** Display orientation, normal or up-side-down
- SA** Save settings

### SET-UP PROCEDURE:

At power up, you may rotate the left side control **#** to select the variable displayed: **Ain** (A input), **Aot** (A output), **bin** (B input) or **bot** (B output), the actual solenoid output current directly in Amps or the command input signal in V or mA, corresponding to the input range pre-selected. To enter setup mode, rotate right side control **\***; the display will show the settings sequentially: **AH I**, **AJ9**, **ALO**, **AUP**, **Adn**, **Adb**, **Ain**, **bH I**, **BJ9**, **BLO**, **BUP**, **bdn**, **bdb**, **bin**, **db**, **dF**, **in**, **di** and **SA**.

When you reach the setting that you want to modify, rotate **#** up or down to the desired value. To modify another setting, rotate **\*** and repeat. The Driver is fully functional during the set-up procedure with any adjustments effective immediately (except the input range selection that becomes effective only after saving). In order to write the new settings in the memory and return to normal mode of operation, rotate **\*** until the display shows **SA** and then rotate **#** one full turn. If you do not want to keep the new settings, simply power down without saving.

WE RESERVE THE RIGHT TO DISCONTINUE MODELS OR CHANGE SPECIFICATIONS  
WITHOUT NOTICE OR INCURRING OBLIGATION

PVD3D2E

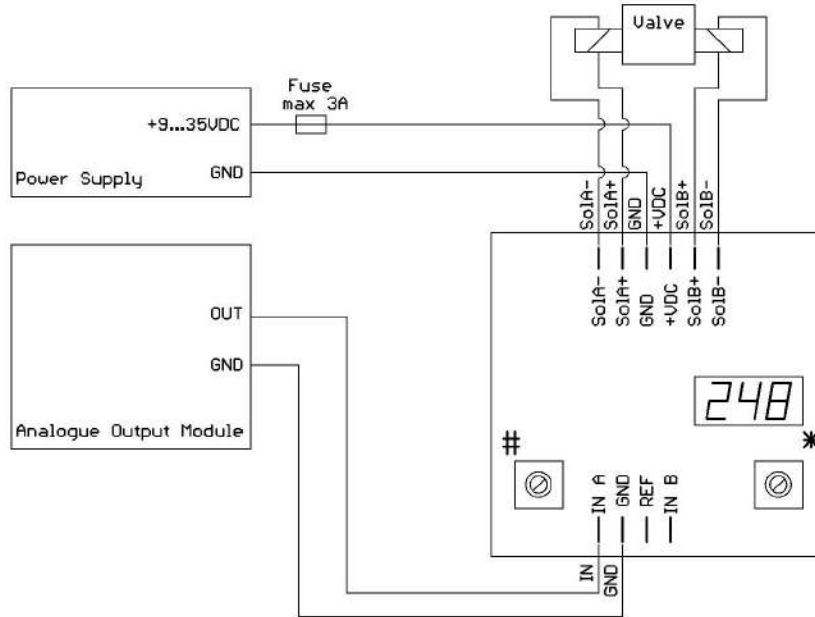


## PVD3D2E

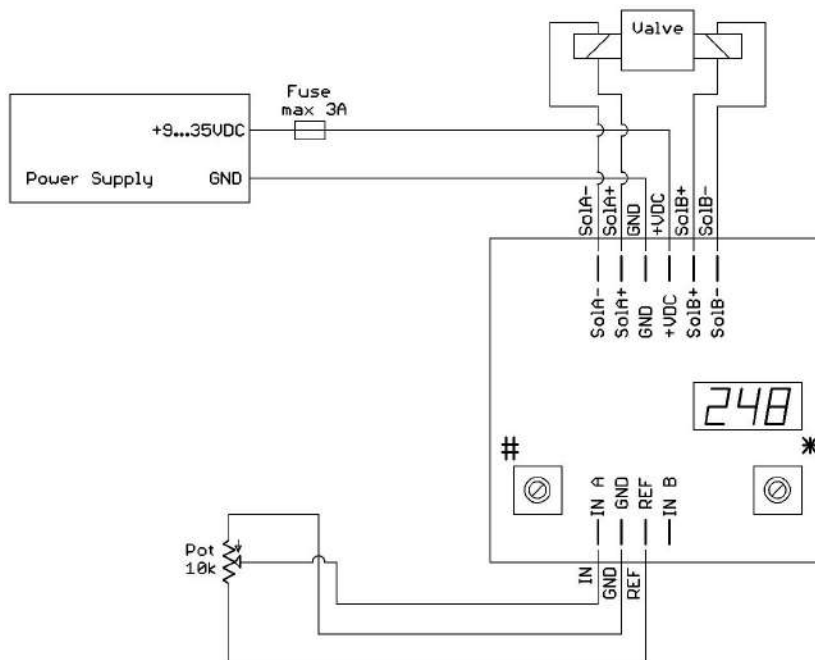
Proportional Valve Driver, two PWM solenoid outputs, epoxy potted

### DUAL MODE WIRING DIAGRAMS FOR ONE DUAL SOLENOID VALVE:

With signal from Analogue Card/PLC:



With signal from potentiometer/joystick:



**PVD3D2E**

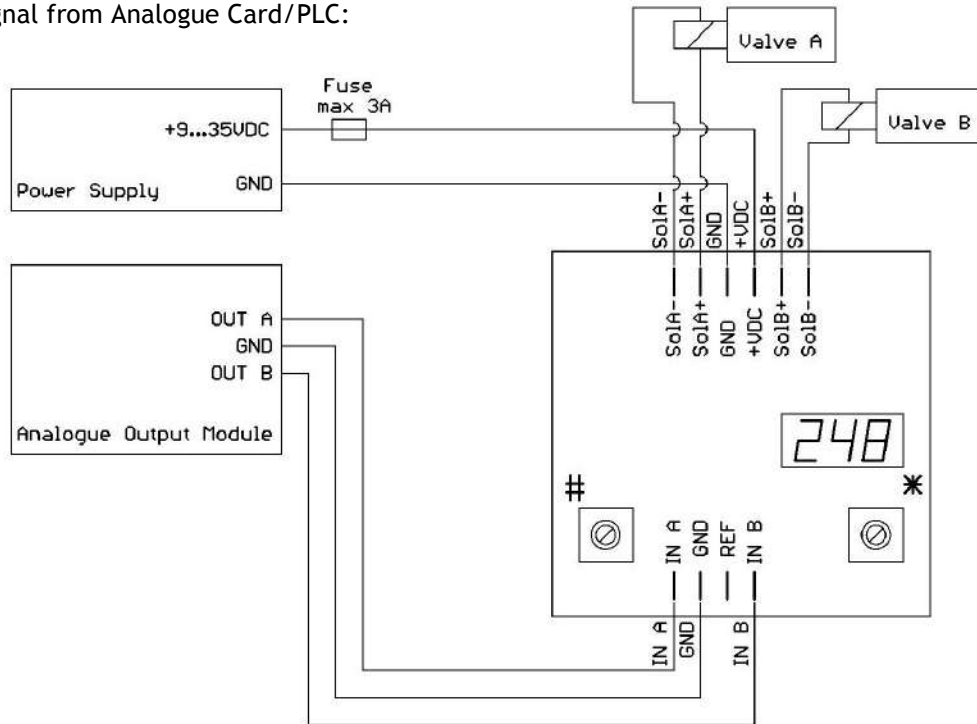


## PVD3D2E

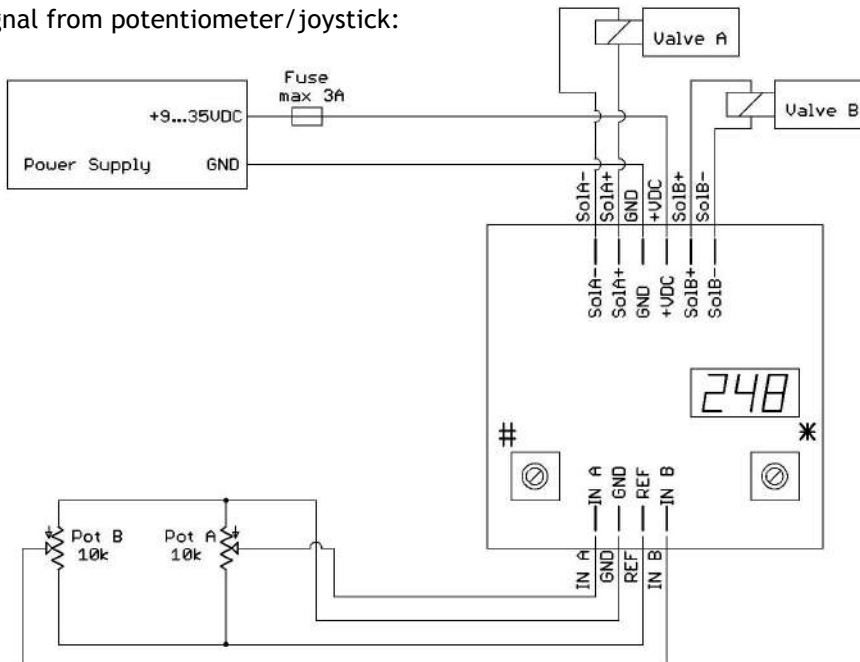
Proportional Valve Driver, two PWM solenoid outputs, epoxy potted

### SINGLE MODE WIRING DIAGRAMS FOR TWO INDEPENDENT SOLENOIDS:

With signal from Analogue Card/PLC:



With signal from potentiometer/joystick:



PVD3D2E

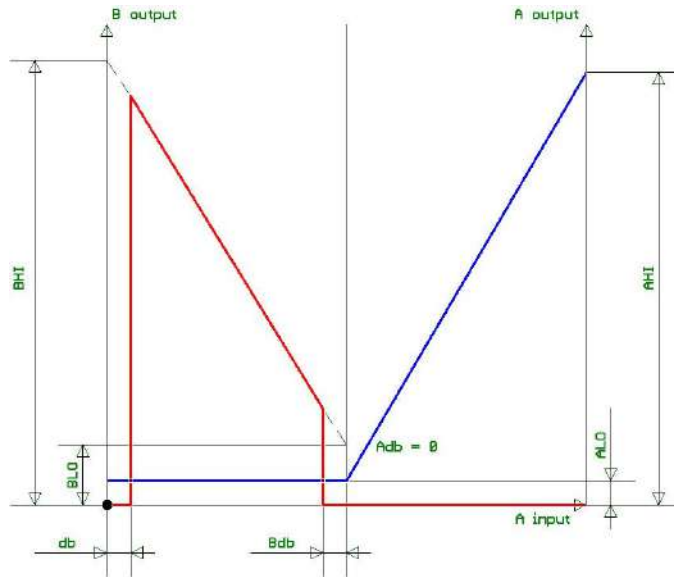


# PVD3D2E

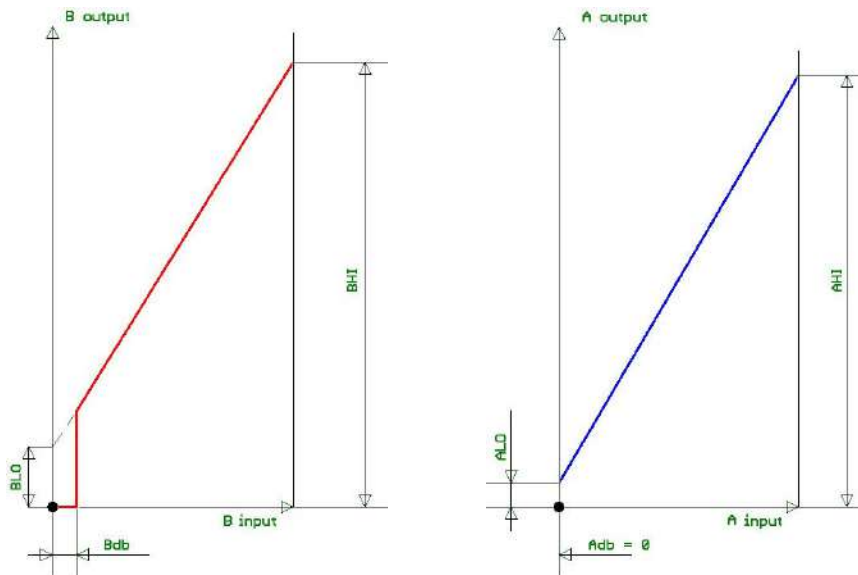
Proportional Valve Driver, two PWM solenoid outputs, epoxy potted

## FUNCTIONAL DIAGRAMS:

Dual mode: one dual solenoid valve:



Single mode: two independent solenoids:



**PVD3D2E**