



PVD3S1E

Proportional Valve Driver, one PWM solenoid output, epoxy potted

BENEFITS AND FEATURES:

- Versatile digital design
- Large, easy-to-use adjustments and three-digit seven-segment LED display
- Wide range of supply voltage
- Electronic limiting circuit / short circuit proof
- Load can be connected & disconnected live
- Protected against wrong connection
- Simple control with two digital inputs
- Energy-efficient PWM circuit, no heat sink is required
- Current sensing maintains output regardless of changes in supply voltage and coil resistance
- Environmentally sealed



SPECIFICATIONS:

- Operating voltage: 9 - 35VDC
- Maximum output: 3A
- Ramp time: 0.0 to 99.5s
- Linearity: 0.5%
- Input signal: two digital (on/off), 0/24V
- PWM / Dither frequency: 50-500Hz
- Operating temperature: -40° to +75° Celsius
- Size: 3.00" x 0.875" x 3.25" (4.00" with flanges)

This product fulfills the essential requirements of the EMC Directive 2004/108/EC: EN61000-6-1:2005, EN61000-6-3:2006

PVD3S1E



PVD3S1E

Proportional Valve Driver, one PWM solenoid output, open board in DIN rail card holder

SETTINGS AND RANGE:

- J9** Jog, used to simulate signal, 0.00 to 3.00 A
- P1** Set point 1, 0.00 to 3.00 A
- P2** Set point 2, 0.00 to 3.00 A
- P3** Set point 3, 0.00 to 3.00 A
- P4** Set point 4, 0.00 to 3.00 A
- UP** Ramp up, time required for the output to increase 1A, 00.0 to 99.5 s
- dn** Ramp down, time required for the output to decrease 1A, 00.0 to 99.5 s

- dF** Dither frequency, 050 to 500 Hz
- di** Display orientation, normal or up-side-down
- SA** Save settings

SET-UP PROCEDURE:

At power up, you may rotate the left side control **#** to read the target set point or the actual solenoid output current directly in Amps: **in** (target), **ot** (actual). To enter set-up mode, rotate right side control *****; the display will show the settings sequentially: **J9**, **P1**, **P2**, **P3**, **P4**, **UP**, **dn**, **dF**, **di** and **SA**. When you reach the setting that you want to modify, rotate **#** to the desired value. To modify another setting, rotate ***** and repeat. The Driver is fully functional during the set-up procedure with any adjustments effective. In order to write the new settings in the memory and return to normal mode of operation, rotate ***** until the display shows **SA** and then rotate **#** one full turn. If you do not want to keep the new settings, simply power down without saving.

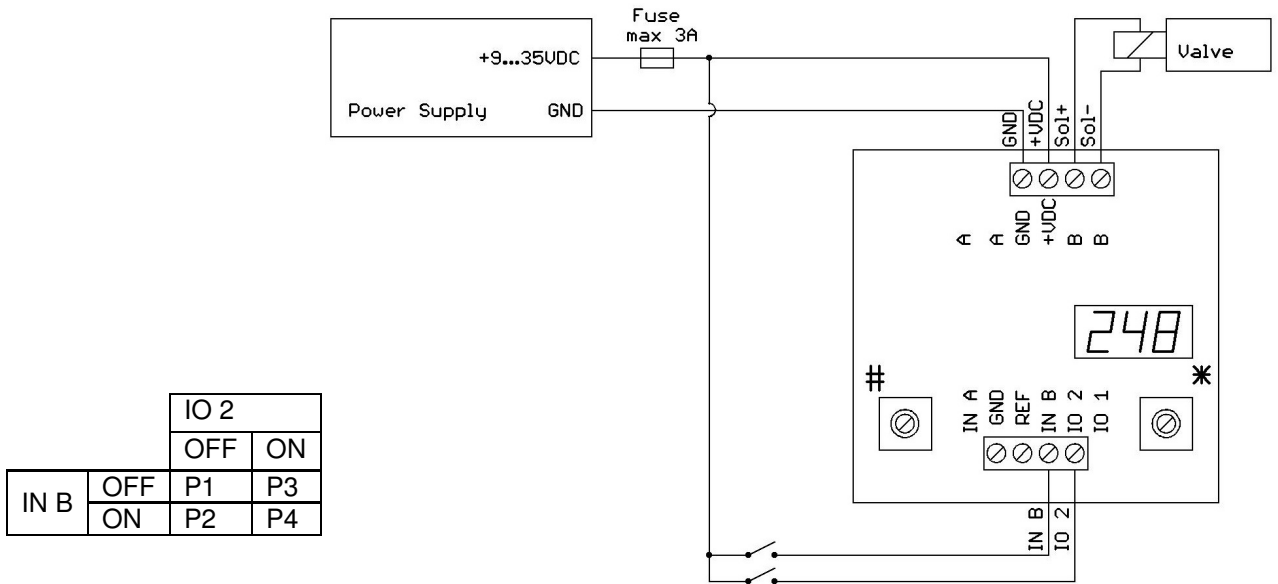
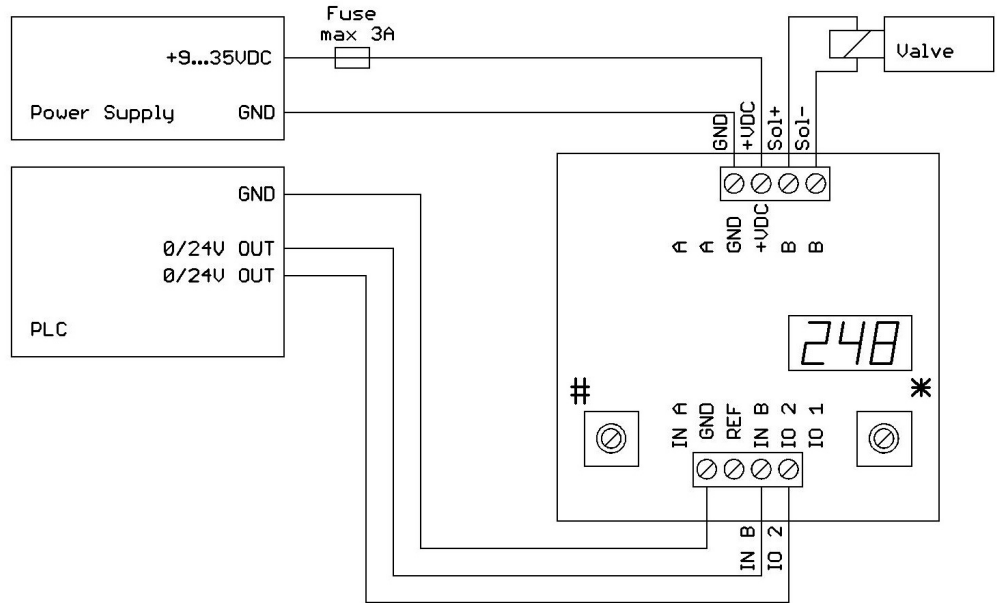
WE RESERVE THE RIGHT TO DISCONTINUE MODELS OR CHANGE SPECIFICATIONS WITHOUT NOTICE OR INCURRING OBLIGATION



PVD3S1E

Proportional Valve Driver, one PWM solenoid output, open board in DIN rail card holder

WIRING DIAGRAM:



PVD3S1E