



## PVD3SDN

Proportional Valve Driver, direct DIN solenoid mount, DIN cable connector

### BENEFITS AND FEATURES:

- Versatile digital design
- Large, easy-to-use adjustments and three-digit seven-segment LED display
- Wide range of supply voltage
- Electronic limiting circuit / short circuit proof
- Load can be connected & disconnected live
- Protected against wrong connection
- Energy-efficient PWM circuit, no heat sink is required
- Current sensing maintains output regardless of changes in supply voltage and coil resistance
- Completely sealed even during set-up
- Simple control with two digital inputs
- Thick wall, sturdy housing made of flame retardant plastic UL94-V0
- Mounting: DIN 43650-A/ISO 4400 for solenoid as well as cable connector
- Easy troubleshooting / cable length not an issue



PVD3SDN

### SPECIFICATIONS:

- Operating voltage: 9 - 35VDC
- Maximum output current: 3A
- Ramp time: 0.0 to 99.5s
- Linearity: 0.5%
- PWM / Dither frequency: 50-500Hz
- Operating temperature: -40° to +75° Celsius
- Input signals: two digital (on/off)
- Protection grade: IP67

This product fulfills the essential requirements of  
the EMC Directive 2004/108/EC: EN61000-6-1:2005, EN61000-6-3:2006



PVD3SDN

## PVD3SDN

Proportional Valve Driver, direct DIN solenoid mount, DIN cable connector

### SETTINGS AND RANGE:

- J9** Jog, used to simulate signal
- P1** set point 1, 0.00 to 3.00 A
- P2** set point 2, 0.00 to 3.00 A
- P3** set point 3, 0.00 to 3.00 A
- P4** set point 4, 0.00 to 3.00 A
- UP** Ramp up, time required for the output to increase 1A, 00.0 to 99.5 s
- dn** Ramp down, time required for the output to decrease 1A, 00.0 to 99.5 s
- df** Dither frequency, 050 to 500 Hz
- di** Display orientation, normal or up-side-down
- SA** Save settings

### SET-UP PROCEDURE:

At power up, you may rotate **#** clockwise to read the actual solenoid output current directly in Amps or counterclockwise to read the target set point, in Amps, as selected with the two digital inputs. To enter set-up mode, rotate **\***; the display will show the settings sequentially: **J9**, **P1**, **P2**, **P3**, **P4**, **UP**, **dn**, **df**, **di** and **SA**.

When you reach the setting that you want to modify, rotate **#** up or down to the desired value. To modify another setting, rotate **\*** and repeat. The Driver is fully functional during the set-up procedure with any adjustments effective immediately. In order to write the new settings in the memory and return to normal mode of operation, rotate **\*** until the display shows **SA** and then rotate **#** one full turn. If you do not want to keep the new settings, simply power down without saving.

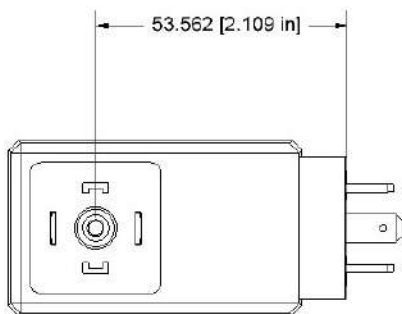
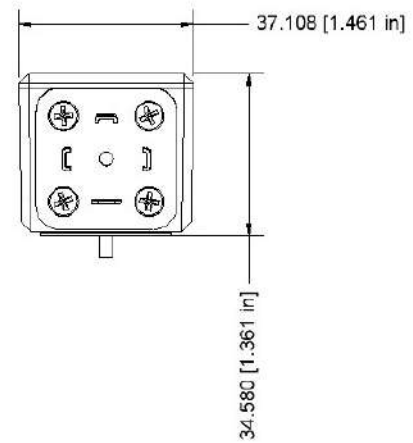
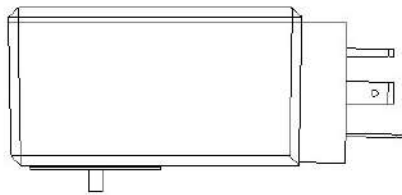
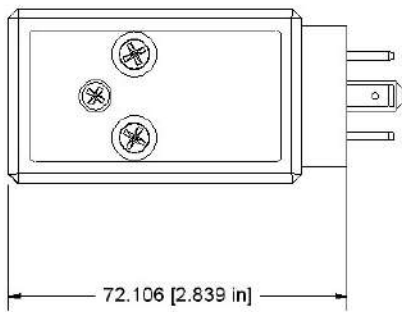
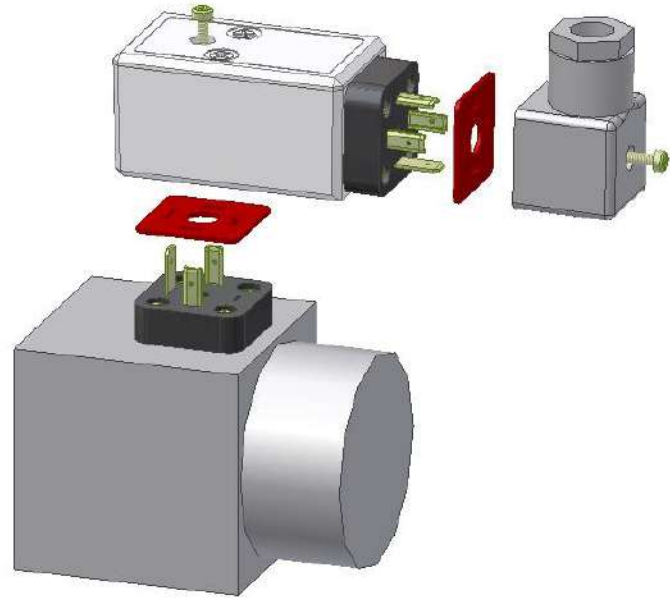
WE RESERVE THE RIGHT TO DISCONTINUE MODELS OR CHANGE SPECIFICATIONS  
WITHOUT NOTICE OR INCURRING OBLIGATION



# PVD3SDN

Proportional Valve Driver, direct DIN solenoid mount, DIN cable connector

## DIMENSIONS:



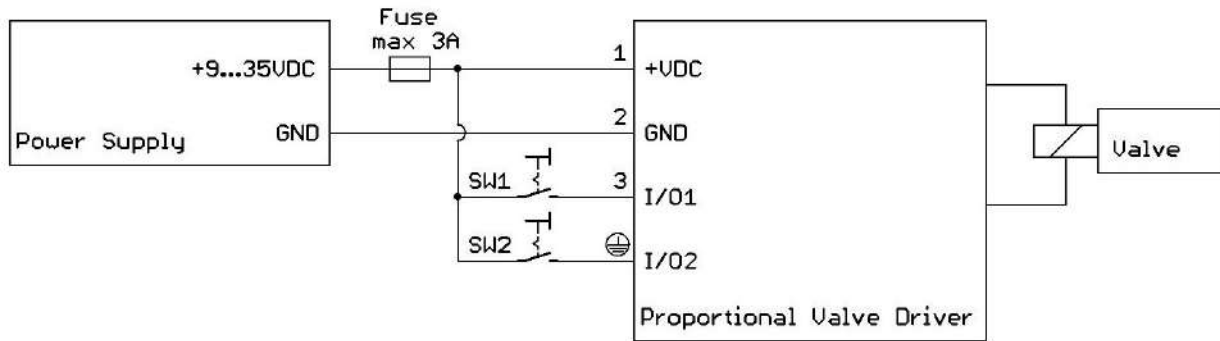
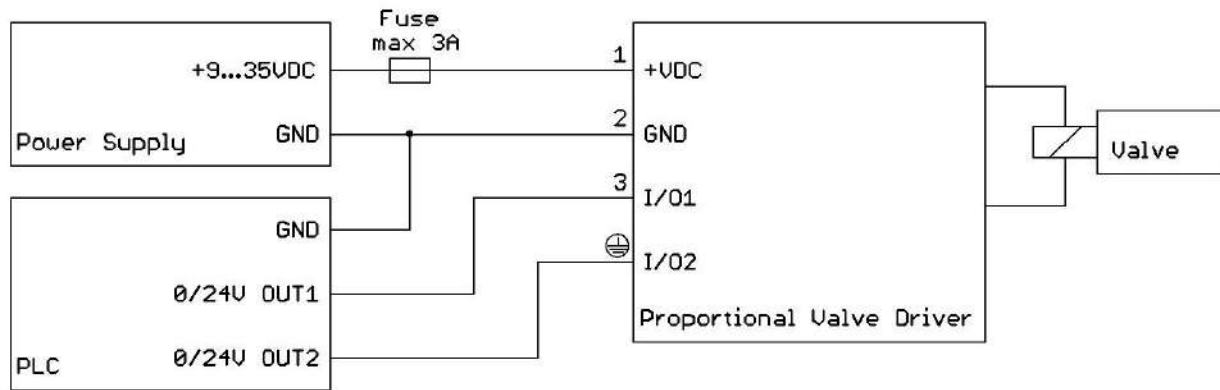
PVD3SDN



# PVD3SDN

Proportional Valve Driver, direct DIN solenoid mount, DIN cable connector

## WIRING DIAGRAMS:



		I/O2	
		OFF	ON
I/O1	OFF	P1	P3
	ON	P2	P4

**NOTE: Do not connect pin 4 to ground**